

GENERAL FEATURES

- Longer cycle life: special paste formula, over dimensioned negative plate, optimized manufacturing process, additives for deep discharge.
- Special separators boost up the battery internal performance.
- Using oxygen recombination technology, maintenance-free and little water losing.
- ABS material: enhanced strength of the battery container. (Flame-retardant ABS is optional).
- Designed to have a lifespan of 15 years for float charging at 25°C



APPLICATIONS

- Electric tools
- Vehicle in place of walking
- Lawn mowers
- Golf trolleys and golf cart
- Power system of special network or local area network
- Electric toys
- Railway and marine systems
- Fire alarms
- Solar and wind power system
- Electric wheelchairs
- Medical equipment

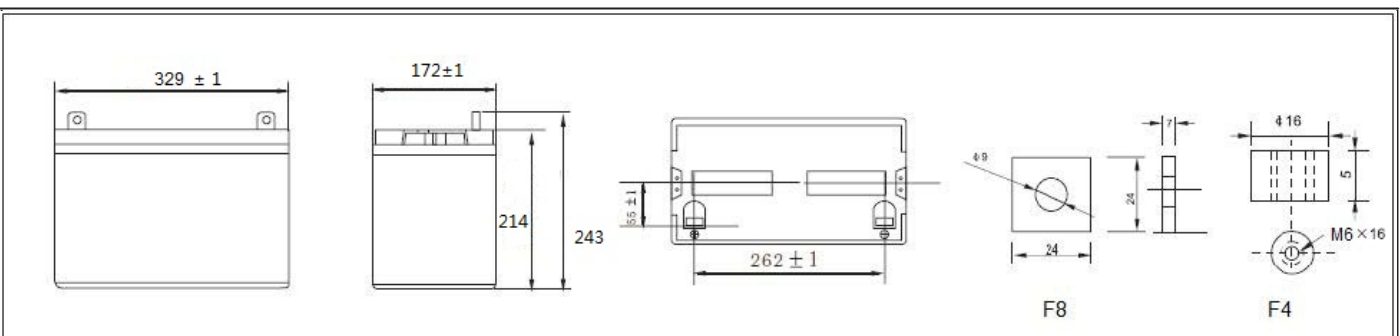


ISO9001 ISO14001
 Complied standards
 ▪ IEC 60896-21/22
 ▪ GB/T19639

SPECIFICATIONS

Model	Nominal Voltage	12V		
	Rated Capacity (10Hr rate)	100Ah		
Dimensions	Length	Width	Height	Total Height
	329mm	172mm	214mm	243mm
Weight	Approx. 31.5 kgs (+/-3%)			
Capacity @25°C (77°F)	10 Hour (10A,10.8V)	5 Hour (17A,10.8V)	3 Hour (25A,10.8V)	1 Hour (55A,10.5V)
	100Ah	85Ah	75Ah	55Ah
Internal Resistance	Fully charged at 25°C, approx. 4.2mΩ			
Max. Discharge current	1000A (5 Sec.)			
Capacity Affected by Temp. (20Hr)	40°C (104°F)	25°C (77°F)	0°C (32°F)	-15°C (5°F)
	112%	100%	80%	68%
Self Discharge Rate @25°C (77°F)	After 3 months Storage	After 6 months Storage	After 12 months Storage	
	91%	82%	64%	
Charge Method	Cycle Use		Float Charging	
	14.1-14.4V (Initial current less than 36.8A) @25°C (77°F)		13.5-13.8V@25°C (77°F)	

DIMENSIONS & TERMINALS

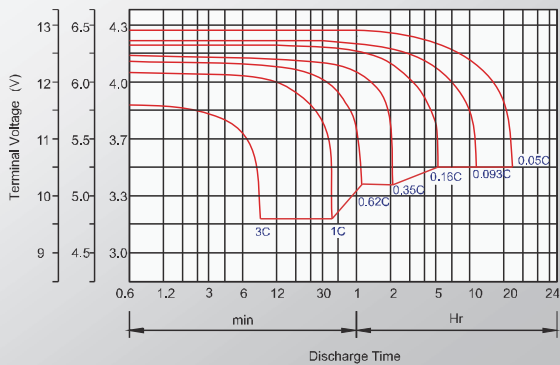


PERFORMANCE CHARACTERISTICS

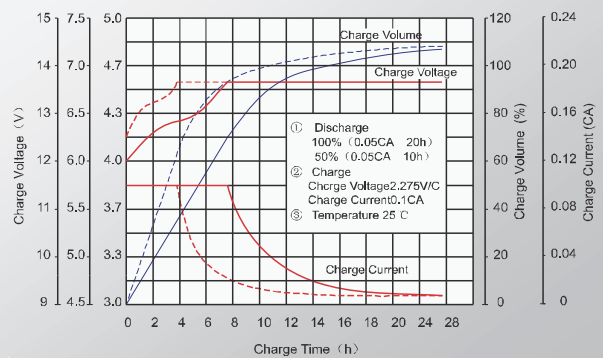
Constant Current(Amp) and Constant Power(Watt) Discharge Table at 25 °C(72 °F)

		10min	30min	1h	2h	3h	4h	5h	8h	10h	20h	50h	100h
9.60V	A	200.0	110.0	60.0	35.0	26.0	21.0	17.8	11.6	11.0	5.7	2.38	1.31
	W	2120	1172	642	378	283	231	195.8	128.6	122.1	63.8	26.7	14.7
10.20V	A	190.0	109.0	56.4	33.4	25.5	20.5	17.4	11.4	10.4	5.6	2.30	1.28
	W	2090	1204	626	374	288	233	197	129	117	64	26.1	14.5
10.50V	A	170.0	102.0	55.0	32.6	25.0	20.0	17.0	11.3	10.2	5.5	2.27	1.26
	W	1904	1148	622	372	286	230	196	129	117	64	26.1	14.5
10.80V	A	160.0	94.0	53.0	31.8	24.5	19.5	15.2	11.0	10.0	5.5	2.2	1.3
	W	1816	1072	607	367	284	227	177	128	117	64	26.1	14.6
11.10V	A	150.0	84.0	50.0	31.0	23.5	19.0	14.5	10.7	9.8	5.4	2.20	1.23
	W	1725	970	580	363	276	224	171	126	115	64	26.0	14.5

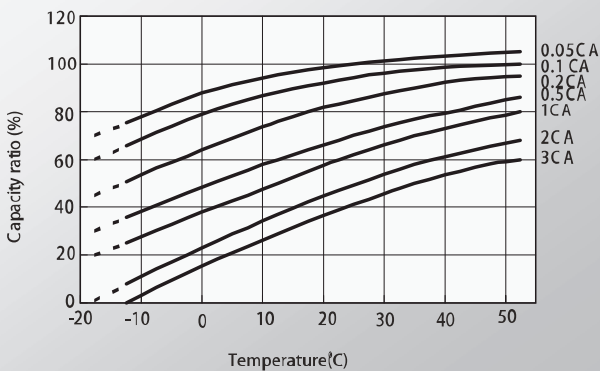
DISCHARGE CHARACTERISTICS



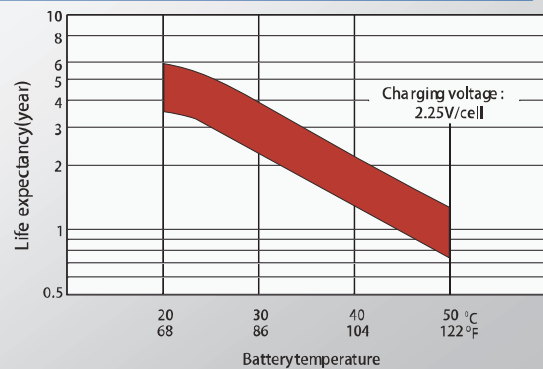
CHARGING CHARACTERISTICS (STANDBY)



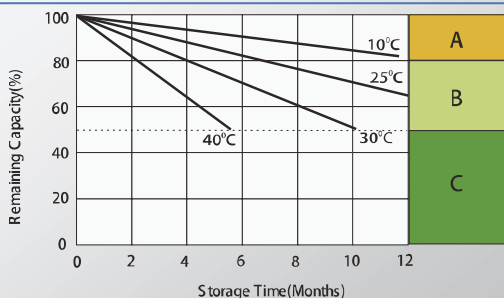
TEMP. EFFECTS IN RELATION TO BATTERY CAPACITY



EFFECT OF TEMP. ON LONG TERM FLOAT DESIGNED LIFE



SELF DISCHARGE CHARACTERISTICS



- A. No supplementary charge required. (Carry out supplementary charge before use if 100% capacity is required.)
- B. Supplementary charge required before use. Optional charging way as below:
 1. Charged for above 3 days at limited current 0.25CA and constant voltage 2.25V/cell.
 2. Charged for above 20hours at limited current 0.25CA and constant voltage 2.45V/cell.
 3. Charged for 8-10hours at limited current 0.05CA.
- C. Supplementary charge may often fail to recover the capacity. The battery should never be left standing till this is reached.

CYCLE LIFE IN RELATION TO THE DEPTH OF DISCHARGE

